

SY-UV360 MEDICAL UV STERILIZER

Operation Manual

Before operating the system, please read this manual thoroughly, and retain it for future reference.

SOTC

Top-Grade Air Sterilizer



If you have the opportunity to experience SOTO sterilizers, please remember that they are designed with our dreams to meet your expectations...



Contents

Consumer Limited Warranty	04
Safety Precautions	05
How it Works	06
Features and Specifications	07
Part Name	08
Installation	09-10
Operation	11-12
Care and Maintenance	13
Troubleshooting	14

Consumer Limited Warranty

Thank you for purchasing SY-UV360 medical UV sterilizers (Hereinafter called UV360).

SOTO gives you the following limited warranty for this product only if it was originally purchased from SOTO or from an authorized dealer.

SOTO warrants that this product is free, under normal use and maintenance, from any defects in material and workmanship. If any such defects should be found in this product within the applicable warranty period. SOTO shall, at its option, repair or replace the product as specified herein.

SOTO will repair or replace, free of charge, to the original purchaser, any part that is found to be defective in material or workmanship within one (1) year of the date of purchase. This limited warranty does not cover there placement of expendable or consumable parts such as UV lamps, and other parts subject to normal wear unless they are defective in material or workmanship.

This warranty shall not apply if:

1. Any defects caused or repairs required because of abusive operation, negligence, accident, improper installation or inappropriate use as outlined in the operation manual.
2. Any product tampered with modified, adjusted or repaired by any party other than SOTO.
3. Damaged caused or repairs because of the use with items not specified or approved by SOTO.
4. Any damage caused by external or environmental conditions (such as a fire or an earthquake), including but not limited to the use of voltage other than indicated on the product.
5. The content on the warranty card is inconsistent with the product, or there is no valid evidence to prove that the defective product is provided by SOTO.

Safety Precautions

To reduce the risk of electrical shock, fire or injury to person(s) read the following:

Running Environment Cautions

- This product must be used in the absence of person. After operating the unit, the user should leave immediately.
- Use only a 220-volt outlet with grounding wire receptacle.
- Never use the unit in a very hot or wet environment (Temperature 0-40°C and RH < 75%).

Unit Operation

- Before operating the unit, make sure that 3 UV lamps are securely installed.
- The unit is best placed on the level floor of the room, so as to avoid the failure of tip over for the unit.
- Do not use the unit if the power cord or plug is damaged or the connection to the wall outlet is loose.
- Do not handle plug or appliance with wet hands. Electrical shock or fire from short circuit may occur.
- To avoid causing fire and/or shock do not attempt to disassemble the unit - only certified technicians should do this.
- Stop the unit and unplug the power when maintenance.
- Wipe the UV lamps regularly with a dry, soft cloth, so as not to affect the sterilization effect. Do not wipe the outside, inside or any parts of the unit with flammable substances (such as alcohol, gasoline or paint thinner), it may cause fire!
- Photo catalytic is permanent, never needs replacing. When there is dust on it, clean the dust off using a vacuum cleaner dusting brush. Do not wash it in water.
- After the disinfection work, unplug the power plug and put away the UV lamps.

How it Works

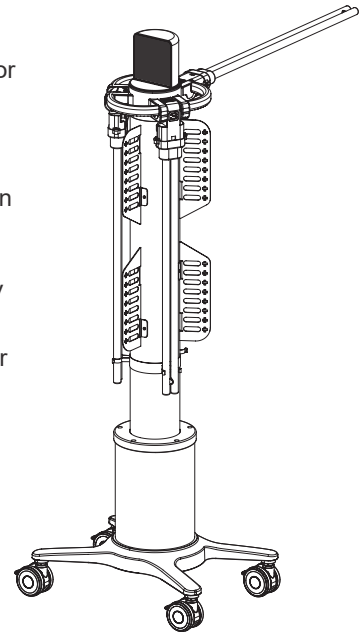
This product is UV sterilizer, the main components include main body aluminum tube, 4 casters, 3 H-type UV lamps, UV ballast, main circuit board, display/control panel and photo catalysts. The 3 UV lamps can spread out freely, which can kill bacteria and viral microorganisms. When UV light hits the photo catalytic, it creates e- and h+, which have an excellent effect in the decomposition of odors.

🌀 How does it work

1. The unit is equipped with casters and can be freely moved to any room for the disinfection of air and surfaces.
2. When the unit is working, the UV lamp can be pulled up to enhance the disinfection range.
3. When UV light hits the photo catalytic, it creates e- and h+, which have an excellent effect in the decomposition of odors.
4. The unit has timing function, you can easily set the disinfection time.
5. It is convenient to check the life time of the UV lamps and replace the UV lamp in time.
6. When the Radar safety mode is enabled, the unit will automatically power off when a person close so as to protect human body.

☀️ How does it sterilize

1. The UV radiation destroys the DNA structure of bacteria and kills pathogenic microorganisms.
2. The UV ray wavelength is 254 nm, and the average intensity of UV ray irradiation is $206\mu\text{W}/\text{cm}^2$ at a position 1m below the UV lamps.

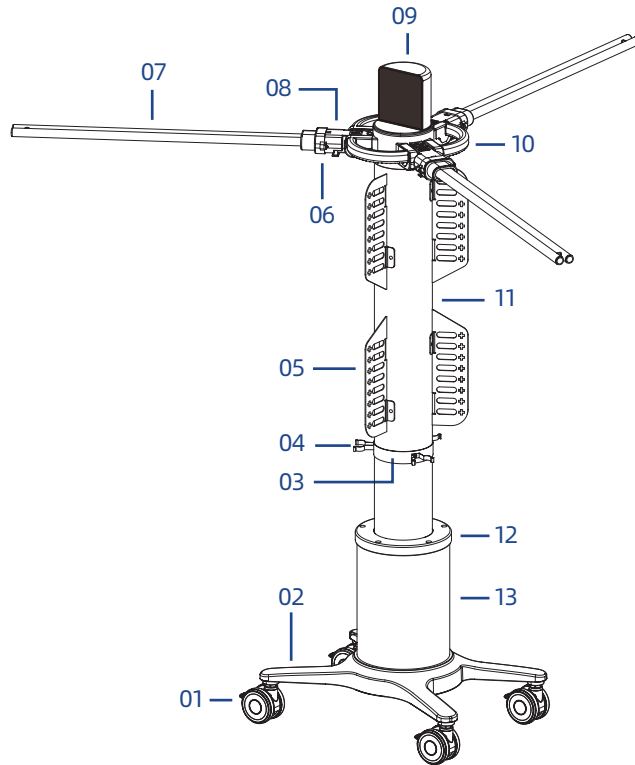


Features and Specifications

The system is mainly composed of UV lamps and photo catalytical plates, which can effectively disinfect indoor air and object surface. When UV light hits the photo catalytic, it creates e- and h+, which have an excellent effect in the decomposition of odors.

Product Name	SY-UV360 Medical UV Air Sterilizer
Model No.	SY-UV360
General name	UV360
Power Requirement	220V, 50Hz
Rated Power	180W
UV Lamp	3x55W
UV Light Radiation	206 μ W/cm ² (The distance from the center of the UV lamp is measured at 1m)
Dimensions	31cm x 41cm x120cm
Weight	10kg

Part Name



- 01- Casters
- 02- Unit Bottom
- 03- UV Clip Holder
- 04- UV Clip
- 05- Photocatalyst Panel
- 06- UV Rotating Shaft
- 07- UV Lamp
- 08- UV Lamp Number
- 09- Display Control Panel
- 10- Handle
- 11- Aluminum Frame
- 12- Aluminum Tube Tittings
- 13- Ballast Aluminum Tubes

Installation1

1. Power supply condition: Use only a 120-volt outlet with grounding wire receptacle.
2. Environmental conditions: Temperature: 0°C~40°C; Relative humidity: <75%.
3. The unit should be placed indoors on a level floor. After starting the unit, the operator should leave immediately.

Applicable places

1. This system only can be used for indoor sterilization in presense of a person. It cannot to be used in the environment with inflammable and explosive gases.
2. This system satisfies the requirements of the "Technical Standard for Disinfection" (2002 Edition).
Pull up the three lamps of the SOTO SY-UV360 medical UV air sterilizer to 180-degree horizontally and operate it for 60 minutes in a 60m³ space. Three repeated tests have all achieved the natural bacteria extinction rate of more than 90% for indoor air. It meets the requirements of disinfection by the Technical Standard for Disinfection of China.

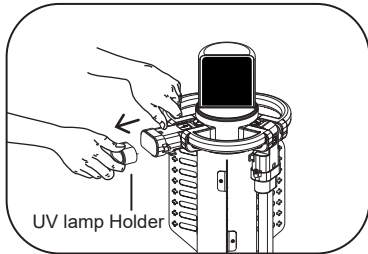
Before operation

1. Move the unit to the flat floor in the center of a room, and carefully pull up and spread out the UV lamps as required.
2. Plug the power cord of the unit into a nearby power outlet.

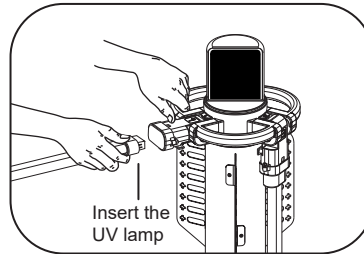
Installation2

Installation of the UV lamps

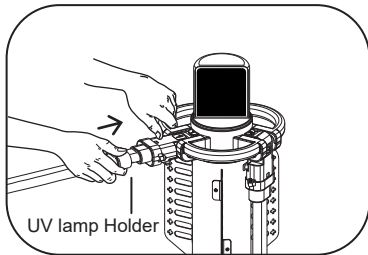
Take out the 3 UV lamps from the package and install them on three lamp holders (See the following Fig.).



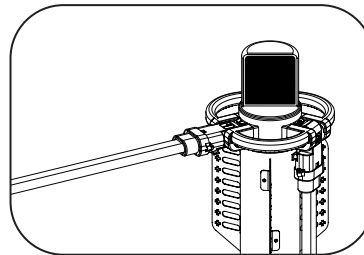
1. Pull out the UV lamp holder



2. Firmly install the UV lamp



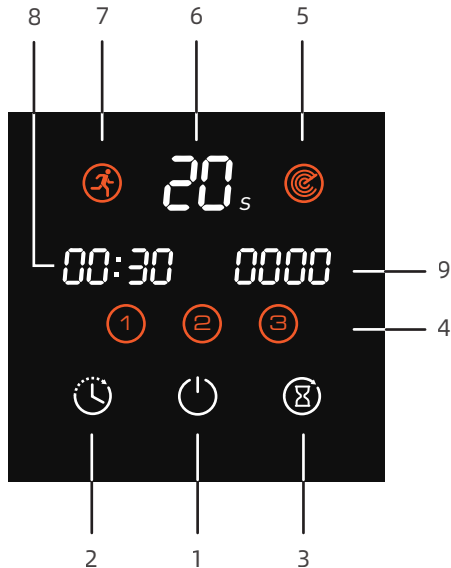
3. Re-connect the UV lamp holder



4. Complete the UV lamp installation

Operation 1

Display Control Panel Operation and Indicator



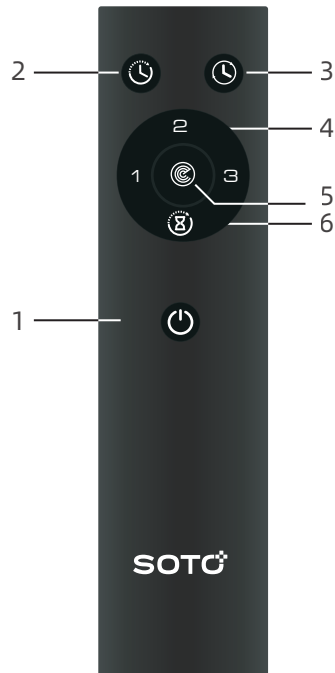
Buttons

- 1- POWER Button: Turns the unit On and Off.
- 2- TIMER Button: Press this button to set the disinfection time (30 min/ 1 h/2 h/ continuous work).
- 3- CHECKING Button: Press this button to view the life time of the UV lamps.
- 4- UV LAMP Button: Press the 1/2/3 buttons to turn on and off the 3 UV lamps. When the 1/2/3 indicator flashes, it is time for the UV lamps to be replaced. After replacing the UV lamps, hold the 1/2/3 buttons to reset the life time for the UV lamps.
- 5- RADAR Button: When the button is pressed, it will turn on the radar safety mode. After setting the Radar safety mode, the UV lamps will automatically turn off when detecting the presence of a person to protect users from accidental UV exposure.

Indicator lights

- 6- Countdown Indicator: When the unit is turned on, the system counts down for 20 seconds before operation
- 7- Leave Indicator: When the unit is turned on, this indicator will flashes 20 seconds.
- 8- Timer Indicator: Display the set disinfection time.
- 9- Life Timer Indicator: Display cumulative time of the UV lamp .

Operation 2



Remote Control Operation

1 Power (ON/OFF) Button

The unit will start operating when the POWER button is pressed. Pressing the button again will stop operation.

2 Timer Button

The set time switches every time the button is pressed as shown below: 0.5hr - 1hr - 2hr - Cancel.

3 Keep on Button

Press this button to cancel the timing, and continue to disinfection.

4 UV Lamp Buttons

Press the 1/2/3 buttons to turn on and off the 3 UV lamps.

5 Radar Button

When the button is pressed, it will turn on the radar safety mode.

6 Reset Button

When replacing the UV lamps, press this button 3 times to reset the life time of the UV lamps.



Helpful Hints

- If the remote control is lost, it needs to be paired with the unit after replacing a new remote control
- Power on the unit, within the first 5 seconds, hold on the power button of the remote control for 5 seconds with a beeping, then the display panel is opened, the configuration is successful. You can operating the unit with the new remote control.

Care and Maintenance

Warning

- This product is a UV sterilizer, must be used in unmanned places. If not, it will cause serious harm to human body.
- Do not wipe any part of the unit with a flammable substance. It may cause fire!
- The product must be placed on a flat floor to avoid falling down.
- This unit cannot be used in an atmosphere containing explosive dust, gas or in an area where flammable substances are present. If so, it results in explosion or fire!
- When there is dust on the UV lamps, wipe with a dry cloth to avoid affecting the disinfection effect.

Replace the UV lamp

- When the 1/2/3 indicator light on the display control panel flashes, it is time to replace the corresponding numbered UV lamp.
- After replacing the UV lamp, hold the 1/2/3 button 3 seconds or press the button on the remote control 3 times to reset the time for the UV lamps



When these indicator light flashes, it is time to replace the UV lamp.

Troubleshooting

Service problems that appear to be major can often be solved easily. You can be your own troubleshooter by reviewing the following guide. All other servicing should be done by a SOTO authorized service center.

<i>Case</i>	<i>What to check</i>	<i>Measure</i>
The unit does not operate	Power failure? Power plug disconnected?	Check other electrical appliances. Make sure plug is fully inserted.
UV lamp does not work	Is the UV lamp tightly inserted? Is the UV lamp damaged?	Reinsert the UV lamp. Replace a new UV lamp.
	Is the UV lamp turned off? Is the UV lamp ballast damaged?	Turn on the UV lamp. Call the Customer Service.

SOTO Air Purification North America

Add: D3-1105 Crestlawn Dr, Mississauga, ON, Canada

Tel: 289-643-5222

E-mail: info@sotonorthamerica.com

Web: <https://www.sotonorthamerica.com>

